

S3 Manifold – 1/2” Fill/Drain Valve

WHS-M-S3-FDVALVE

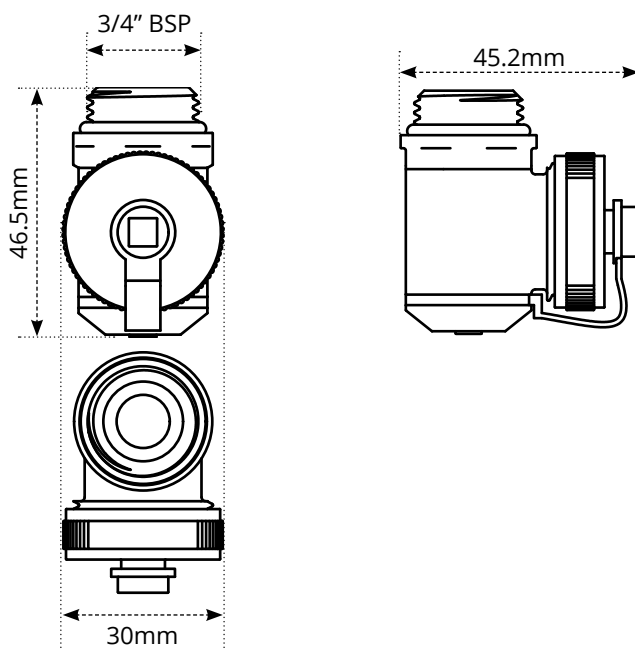


Overview

The Fill/Drain valve is used during initial setup of the Warmup S3 Manifold. A water supply is connected to purge air and to ensure the pipework of the underfloor heating system is filled and that there is no damage to the pipes.

During maintenance or repairs of the underfloor heating system, the fill/drain valve is used to drain water from the pipework.

Dimensions



Contact

Warmup plc

www.warmup.co.uk T: 0345 345 2288
uk@warmup.com F: 0345 345 2299

Warmup plc ■ 704 Tudor Estate ■ Abbey Road ■ London ■ NW10 7UW ■ UK

Warmup GmbH ■ Ottostraße 3 ■ 27793 Wildeshausen ■ DE

Warmup - TS - S3 Fill_Drain Valve - V1.0 - 2023-05-04_EN

Warmup