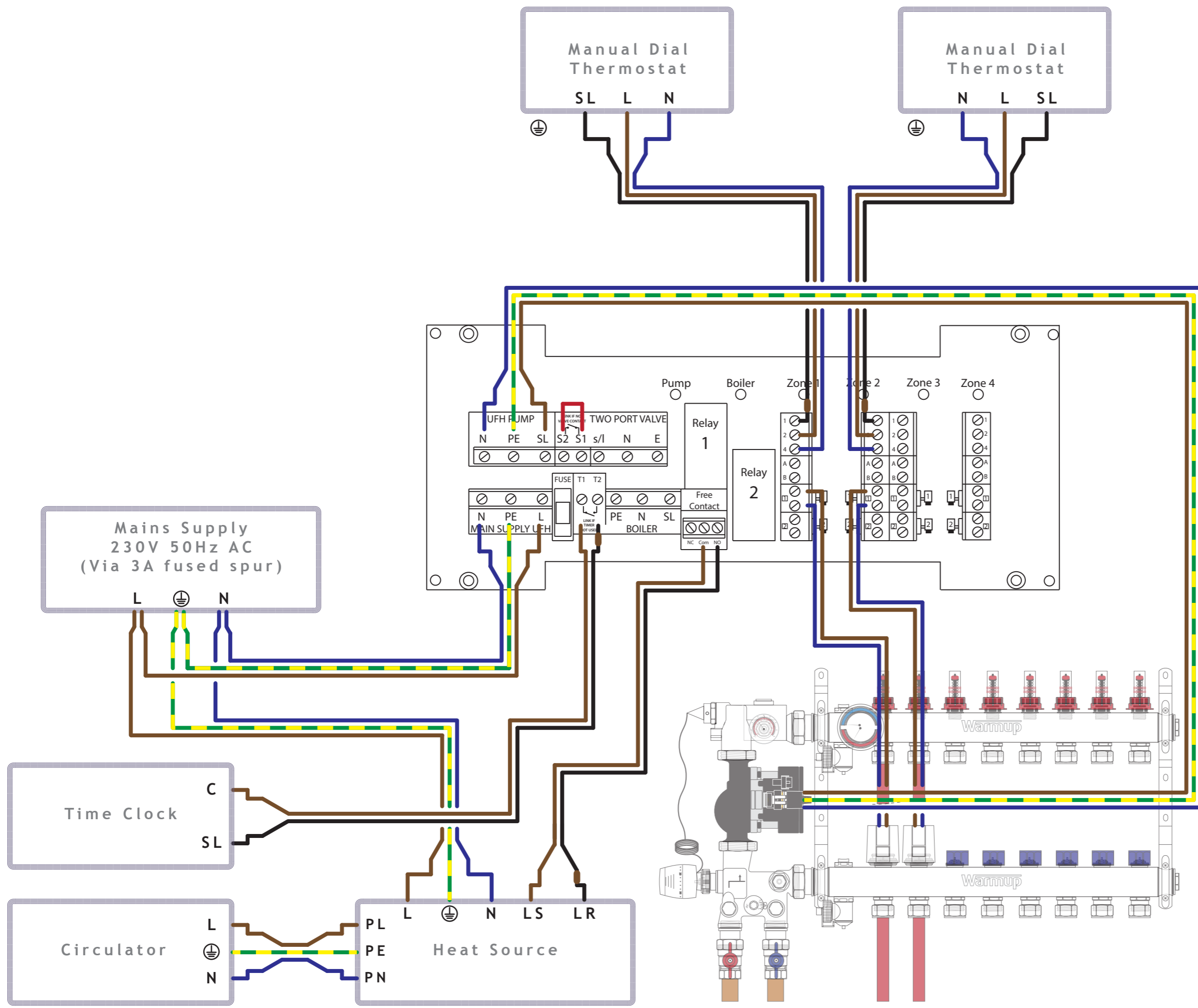


WIRING DIAGRAM LEGEND		
	Live	L
	Earth	E
	Neutral	N
	Switched Live	SL
	Switched Live	SL
	Common	C
	Link Wire	



The world's best-selling floor heating brand™
WARMUP PLC, 702 & 704 Tudor Estate, Abbey Road, London, NW10 7UW
 Tel 0345 034 2288 Fax 0203 453 2299
support@warmup.com www.warmup.co.uk

TITLE		
Wiring Diagram		
WHS-C-B-MASTER01_Time Clock_Volt Free Boiler_Integrated Pump		
DATE	DRAWN	REVISION
07.02.2017	GW	A

PDF FILE
 Warmup - WD - WHS-C-B-MASTER01 (Time Clock_Volt Free Boiler_Integrated Pump) - 2017-02-07.pdf

Any electrical works undertaken should be completed by a suitable qualified competent electrician.

Any interconnecting electrical components that form part of a hydronic system should be connected to a 3A power supply, with the whole system having a single point of isolation.

The Warmup word and associated logos are trade marks. © Warmup Plc. 2010 - Regd. TM Nos. 1257757, 4409926, 5265707. E & OE. Registered in England No. 2955213.

All products must be earthed in accordance with current wiring regulations. **Some earth connections have been omitted for clarity.**